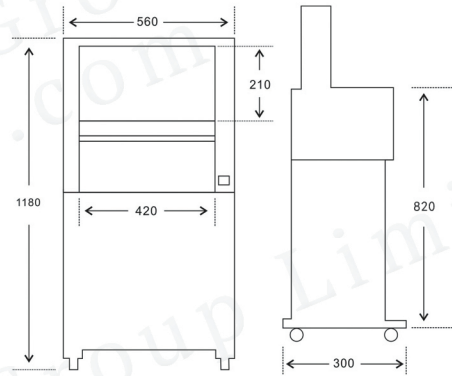


Banknote Banding Machine

JB-402 Plus



EB International Group Limited
www.easy-banker.com



Features:

- Anyone can be a beautiful band, simple and indeed Feeding method, the rail way. You can set the band standby time, production capacity increases. (Goods GUID location frame as standard equipment)
- The paper tape, plastic film strap as long as 1 ok Since the company' s unique body, tape, plastic film strap any kind of strap as long as 1 will be payable
- The standby time "0" Power supply everything into can immediately start, so the work efficiency increases.
- With the most appropriate force, firmly band Tightening force, strong or weak, with the end of thins, can be step less adjustment
- Even if not careful empty band (no matter band) and OK The operator even because of careless nothing band, also won't tape on the pressure plate.

Specifications:

Min banding size: 40mm(W) X 10mm(H)

Max banding size: 410mm(W) X 200mm(H)

Speed: 26 time/min

Warm up time: Nearly 0 sec

Strapping tension: 5-60N

Net weight: 63kg

Dimension: 560mm(H) X 300mm(W) X 1188mm(H)

Power supply: AC 220V/200W

Tape width: 20/30/40/50mm Paper tape or OPP tape



EB International Group Limited
www.easy-banker.com